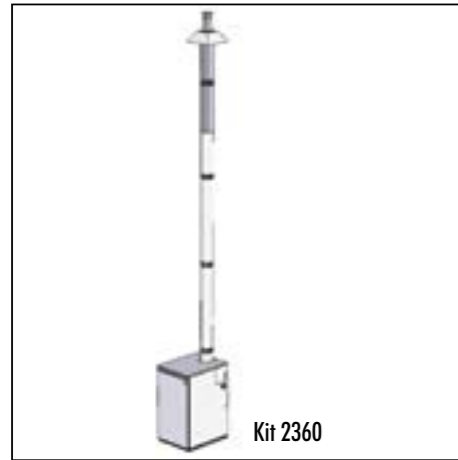


Dimensions and Specifications



Horizontal Flue Information - Wall Thickness

Model kW	Btu/h	Product Code	Rear		Side	
			Min	Max	Min	Max
15/20	50/70	2334/2335	13" (330mm)	24" (600mm)	8" (200mm)	19" (480mm)
20/26	70/90		29" (730mm)	39" (1000mm)	24" (600mm)	35" (890mm)
29/36	100/125	2334/2335	13" (330mm) 29" (730mm)	24" (600mm) 39" (1000mm)	7" (175mm) 23" (585mm)	18" (455mm) 34" (865mm)
38/52	130/180	2352	13" (330mm)	39" (1000mm)	20" (500mm)	35" (890mm)
56/70	190/240	2353	13" (330mm)	39" (1000mm)	20" (500mm)	35" (890mm)



Vertical Flue Information - Maximum height from top of boiler

Model	Product Code	Max Height
50/70	2360	142" (3600mm)
70/90	2360 with 2361	236" (6000mm)
100/125	2360	142" (3600mm)
	2360 with 2361	236" (6000mm)



High Level Flue Information - Maximum height from top of boiler

Model	Product Code	Max Height
50/70, 70/90	2355/2356	42" (1060mm)
100/125	with 2357	43" (1095mm)
Combi Internal 50/70, 70/90	2355/2356 with 2357	44" (1115mm)



Complete
Heating
Solutions

TR Engineering Limited, Thorncliffe, Chapeltown, Sheffield, S35 2PH, England

Tel: +44 (0) 114 257 2300 Fax: +44 (0) 114 257 1419

TR Engineering Limited is a company registered in England and Wales with company Reg No. 7321802

XC990825 04/11 issue 0

Copyright of all contents of this leaflet is vested in TR Engineering Limited. Any part may not be reproduced without permission. The contents of this leaflet are accurate at the date of printing but, because TR Engineering has a policy of continual development, it may be superseded and should be disregarded if specifications or appearances are changed. The statutory rights of the customer are not affected. E&OE's



THE VERSATILE OIL BOILER RANGE



www.trianco.co.uk/eurostar

A market leading range of heating products from



Floor Standing Oil Fired Kitchen / Utility

The EuroStar Kitchen / Utility is a superbly versatile range of oil fired boilers, the ideal heating solution for homes of all sizes due to a wide range of outputs. Models blend with both traditional and modern decor, with models up to 26kW fitting neatly under a standard height work surface making them a popular choice for kitchen installations. System versions are also available. Higher output models are ideal for installation in utility rooms.



kW	000's Btu's	W	D	H	Conventional flue size	Flow & return connections
15/20	50/70	461	596	854	4"	22mm Compression
20/26	70/90	461	596	854	4"	22mm Compression
29/36	100/125	460	672	895	4"	22mm Compression
38/52	130/180	512	825	118	6"	1 1/2" BSP
56/70	190/240	512	825	1263	6"	1 1/2" BSP

- △ Rated Sedbuk 2005 band A
- △ Heat output: from 15kW - 70kW (50,000 - 240,000 Btu/h)
- △ Casing: mild steel finished in a durable white stove enamel
- △ Standard flue: conventional - balanced flue option available
- △ Models servicable from the front
- △ All boilers can be used on sealed systems
- △ High level of insulation
- △ Please refer to installation instructions, available on request, before installing or specifying a Eurostar boiler



Floor Standing Oil Fired Combi (Internal)

The internal storage combi is supplied for a conventional flue with the option to convert to a balanced flue and has been designed to fit neatly under standard height kitchen units (with removable work surface), with controls concealed behind the door to give a slim, modern appearance.

- △ Rated Sedbuk 2005 band A
- △ Fitted with a 10 litre expansion vessel
- △ Heat output from 15-26kW (50,000 - 90,000 Btu/h)
- △ Supplied as standard for conventional flue with flue kit options available
- △ Adjustable boiler thermostat and DHW thermostat
- △ Fully insulated boiler casing
- △ Complete with programmer

Floor Standing Oil Fired Combi (External)

The External Storage Combi is ideal for outside installation and is designed for high performance with economical running costs. It comes complete with an integrated low level discharge flue and incorporates a frost thermostat to protect the boiler and system in cold weather. The boiler casing is made from totally waterproof galvanised steel panels and has a lockable access door.

- △ Rated Sedbuk 2005 band A
- △ Complete with integral flue
- △ Totally weatherproof galvanised mild steel casing
- △ Suitable for use on sealed systems
- △ Flue Options right hand and rear
- △ Heat output from 15-26kW (50,000 - 90,000 Btu/h)
- △ Complete with programmer



	kW	000's BTU's	W	D	H	Conventional Flue Size	Flow & Return connections
Internal	15/20	50/70	595	600	875	4"	Heating 22mm DHW 15mm
Internal	20/26	70/90	595	600	875	4"	Heating 22mm DHW 15mm
External	15/20	50/70	645	710	1010	Integral	Heating 22mm DHW 15mm
External	20/26	70/90	645	710	1010	Integral	Heating 22mm DHW 15mm