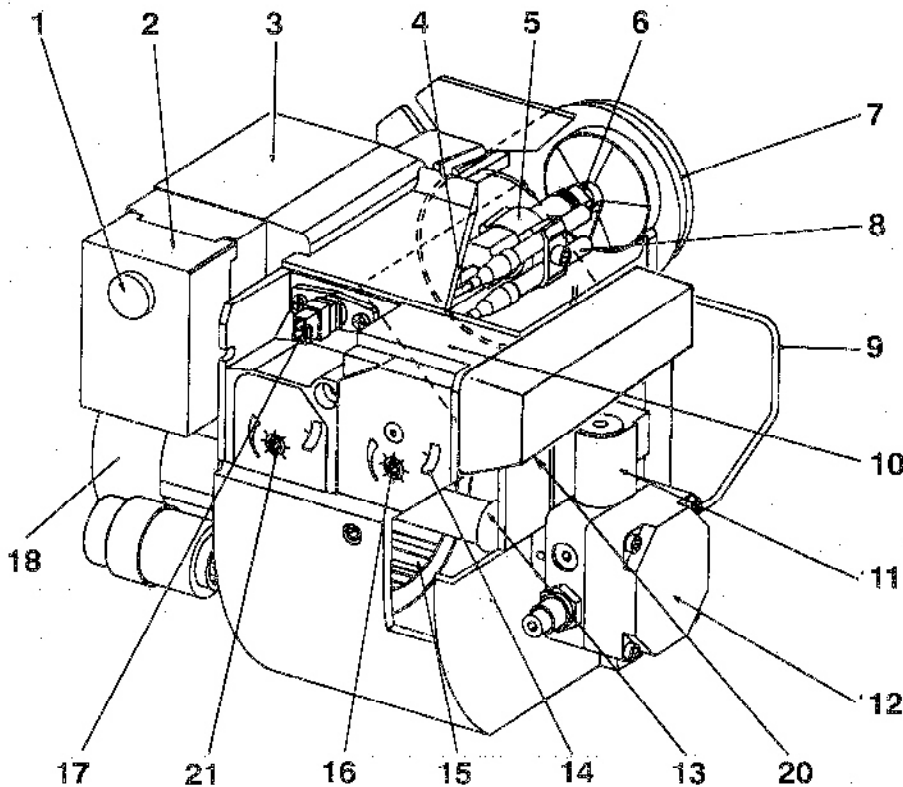


ELECTRO-OIL BURNER EuroStar WM 50&65

BURNER DETAILS

ELECTRO OIL STERLING BURNER



Components

- 1 Reset button
- 2 Control box
- 3 Ignition transformer
- 4 Ignition cables
- 5 Nozzle assembly
- 6 Nozzle
- 7 Combustion head
- 8 Ignition electrodes
- 9 Connecting pipe
- 10 Air damper
- 11 Solenoid valve
- 12 Pump
- 13 Drive coupling
- 14 Indication, air damper
- 15 Fan wheel
- 16 Adjustment, air damper
- 17 Photoresistor
- 18 Motor
- 20 Air intake
- 21 Nozzle assy. position
(Factory set)
setting 20 Estar 130/150
setting 14 Estar 160/180
Setting 17 Estar 190/240

BURNER SETTINGS

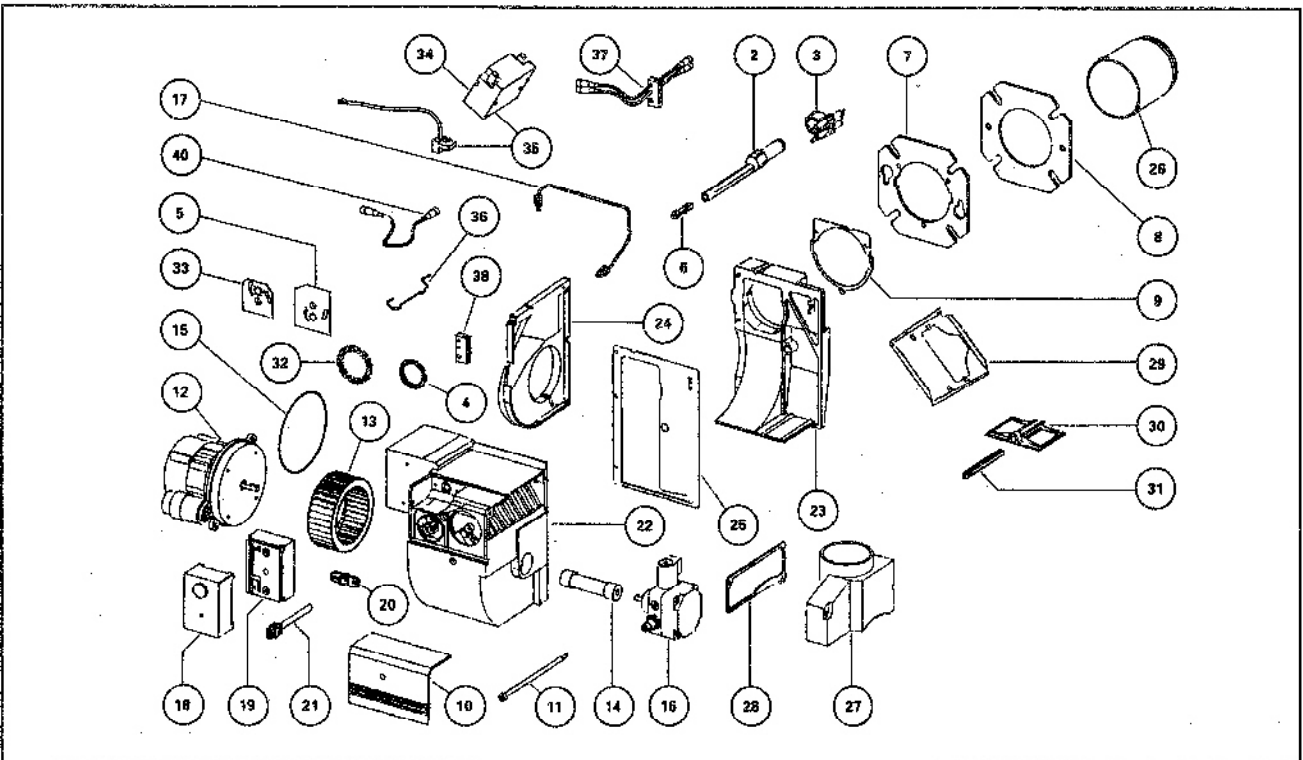
| Boiler | Electro Oil Burner Model | Comb Head | Danfoss Nozzle USG/H | Pump Pressure P.S.I. | Firing Rate ml/min | Air Setting | CO ₂ % | Smoke No. | Flue Gas Temp. °C |
|--------|--------------------------|--------------|----------------------|----------------------|--------------------|-------------|-------------------|-----------|-------------------|
| 50,000 | Sterling 40 | PL 10-5-16-8 | 0.50 80-EH | 110 | 28.2 | 3½ | 11.5 | 0 | 200 |

| | | | | | | | | | |
|--------|-------------|--------------|-----------|-----|------|---|------|---|-----|
| 65,000 | Sterling 40 | PL 10-5-16-8 | 0.6 80-EH | 110 | 37.5 | 6 | 11.5 | 0 | 200 |
|--------|-------------|--------------|-----------|-----|------|---|------|---|-----|

To be retained by householder

Electro Oil Sterling Burner - Short Parts List

| Item | Description | Part No. |
|------|--------------------------------------|----------|
| 2 | Nozzle Line Comp. | 207581 |
| 3 | Electrode Holder Comp. | 208382 |
| 6 | Adjustment Screw Nozzle Assembly | 207586 |
| 7 | Fixing Flange | 208801 |
| 8 | Gasket Fixing Flange | 208799 |
| 9 | Gasket, Fan Housing Front Port | 208384 |
| 12 | Motor90w, Single Phase | 207593 |
| 13 | Fan Wheel 108x42x8 | 207597 |
| 14 | Drive Coupling Complete | 207595 |
| 15 | O Ring Seal | 207596 |
| 16 | Pump, Danfoss BFP 11L3 | 203081 |
| 17 | Connecting Pipe Complete | 207598 |
| 18 | Control Box, Satronic | 29064 |
| 19 | Relay Base, Satronic Complete | 207628 |
| 20 | Flange, Photoresistor | 207602 |
| 21 | Photoresistor MZ 7705 | 207603 |
| 25 | Gasket, Fan Housing | 207607 |
| 26 | Flame Tube EuroStar 50 | 209783 |
| 26 | Flame Tube EuroStar 65 | 203055 |
| 28 | Gasket, Connecting Piece | 207612 |
| 34 | Transformer, Danfoss | 207618 |
| | Nozzle - 0.5 x 80°EH EuroStar WM 50 | 27492 |
| | Nozzle - 0.6 x 80° EH EuroStar WM 65 | 26213 |



MAINTENANCE OF OIL BURNER

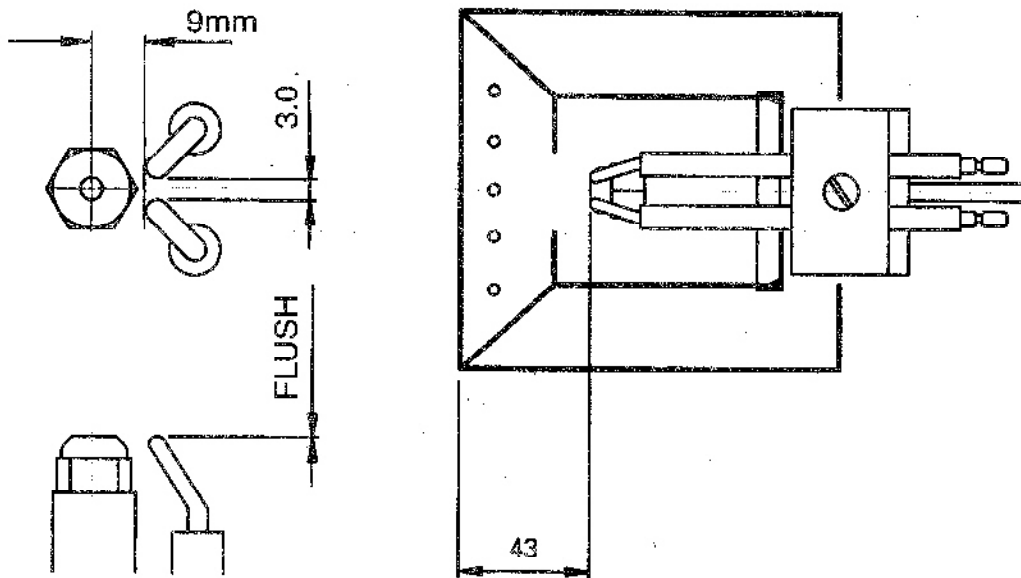
WARNING:
BEFORE DOING ANY SERVICE
SWITCH OFF POWER AT THE
MAIN SWITCH AND CUT
OFF THE OIL SUPPLY

OIL PIPE
CONNECTIONS

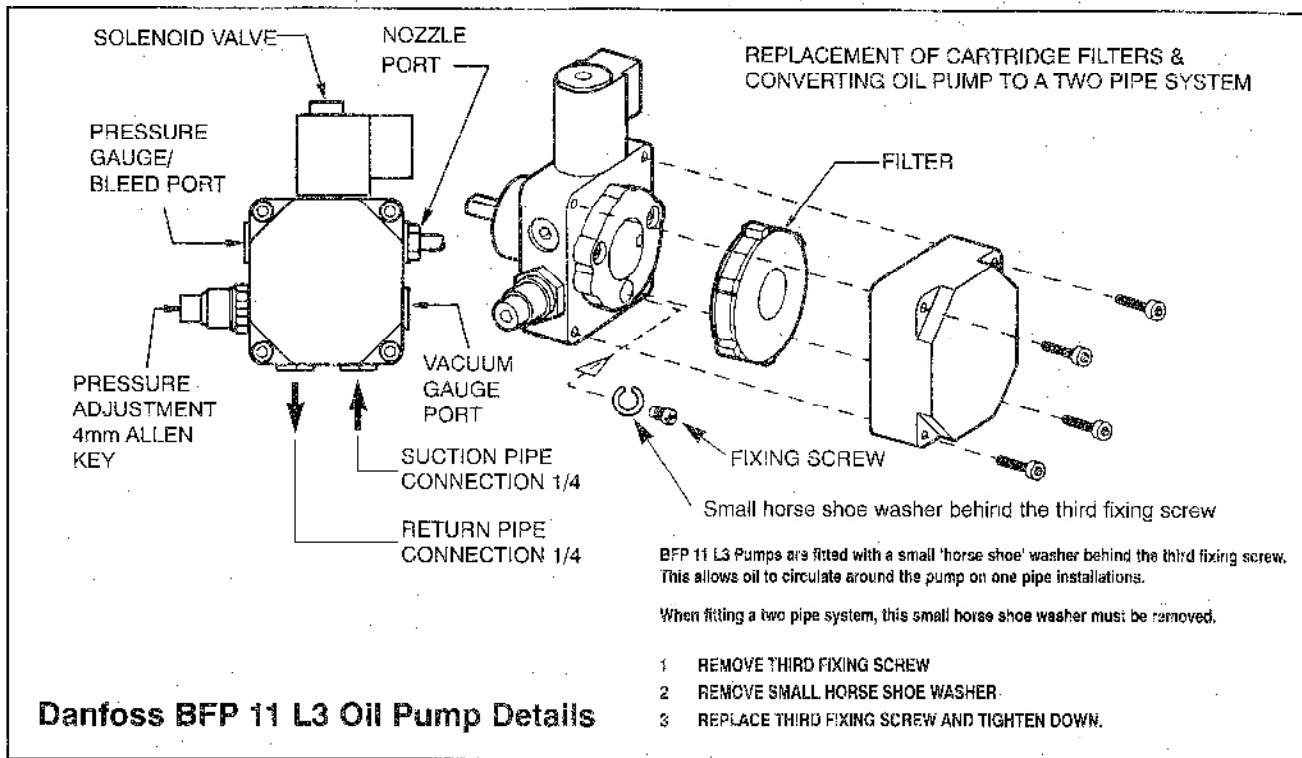
RETURN

FLOW

SERVICING OF BURNER HEAD & NOZZLE ASSEMBLY



STERLING BURNER HEAD DETAILS



Servicing the burner (*Electro-Oil Sterling*)

1. Switch off the electrical supply to boiler and turn off oil.
2. Unscrew long securing bolt connecting both sections of the burner together and remove main burner sections from boiler.
3. Unscrew two flange fixing nuts and remove blast tube assembly from boiler.
4. Clean blast tube air vanes and inner and outer annular slots.
5. Fit a new nozzle with one of the same specification - do not attempt to clean or dismantle nozzle.
6. Clean ignition electrodes and check their settings. Also, examine the porcelain insulators and replace electrodes if there are cracks or signs of crazing.
7. Pull out photo-cell and clean glass face.
8. Clean deposits from impeller blades and check impeller is firmly tightened to motor shaft.
9. Check condition of flexible coupling for free play between pump and impeller - replace if necessary.
10. Clean any deposits from around air intake and shutter.
11. Remove end cap from oil pump - take out filter and wash in kerosene.
12. Check flexible oil hose(s) for oil leaks and replace if necessary with a similar 'long life' hose supplied with boiler.
13. Reassemble all parts but do not refit burner to boiler until boiler flue-ways have been cleaned.



By appointment to H.M. Queen Elizabeth
The Queen Mother
Manufacturers of Domestic Boilers



TRIANCO REDFYRE LIMITED
Thornccliffe, Chapeltown, Sheffield S35 2PZ
Tel: Sheffield (0114) 257 2300
Service Department: Sheffield (0114) 257 2301
Fax: (0114) 245 3021



© Trianco Redfyre Limited 1999. Copyright in this brochure and the drawings or illustrations contained in it is vested in Trianco Redfyre Limited and neither the brochure or any part thereof may be reproduced without prior written consent.

Trianco Redfyre policy is one of continuous research and development. This may necessitate alterations to this specification.