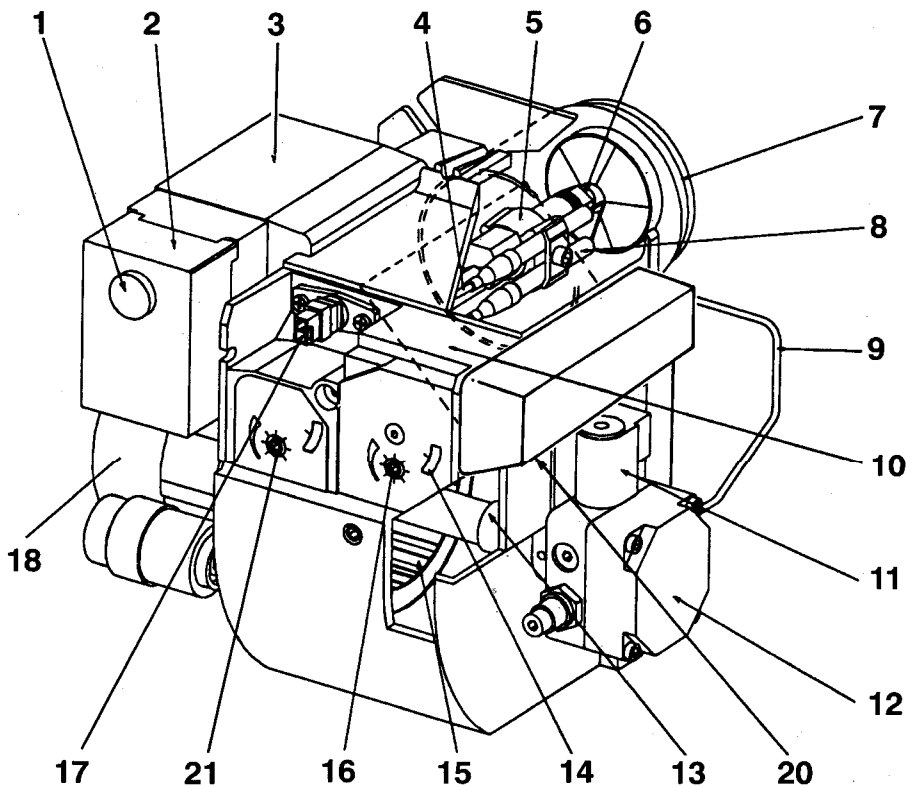


## ELECTRO-OIL BURNER

## BURNER DETAILS

### ELECTRO OIL STERLING BURNER



### Components

- 1 Reset button
- 2 Control box
- 3 Ignition transformer
- 4 Ignition cables
- 5 Nozzle assembly
- 6 Nozzle
- 7 Combustion head
- 8 Ignition electrodes
- 9 Connecting pipe
- 10 Air damper
- 11 Solenoid valve
- 12 Pump
- 13 Drive coupling
- 14 Indication, air damper
- 15 Fan wheel
- 16 Adjustment, air damper
- 17 Photoresistor
- 18 Motor
- 20 Air intake (Bal. Flue)
- 21 Nozzle assy. position  
(Factory set)  
setting 4 Estar 130/150  
setting 7 Estar 160/180  
Setting 17 Estar 190/240

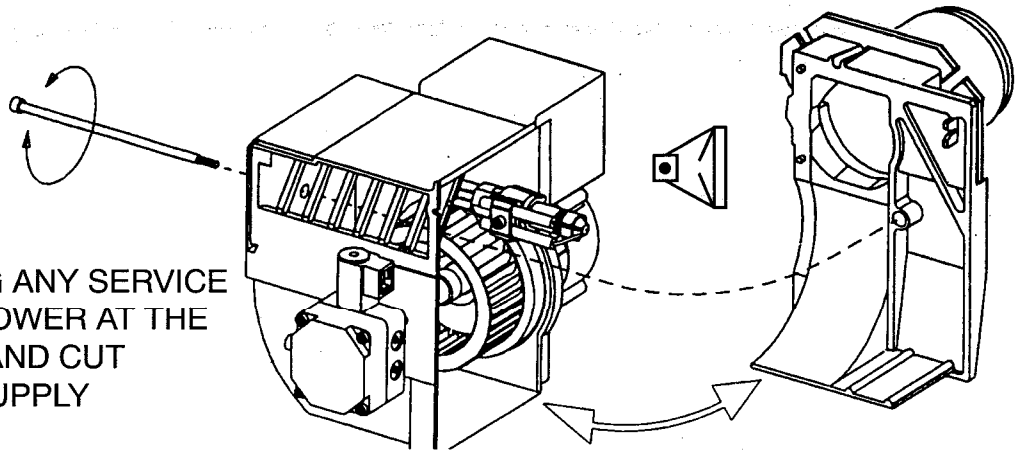
### BURNER SETTINGS

Boiler Output	Electro Oil Burner Model	Comb Head	Danfoss Nozzle USG/H	Pump Pressure P.S.I.	Firing Rate ml/min	CO <sub>2</sub> %	Smoke No.	Flue Gas Temp. °C
150,000	Sterling 90	K-K	1.25 60°S	140	85.4	12.5	0	230
180,000	Sterling 90	K-K	1.5 60°S	132	102.5	12	0	230
240,000	Sterling 90	C-KA	2.25 60°S	110	136.7	12	0	220

*To be retained by householder*

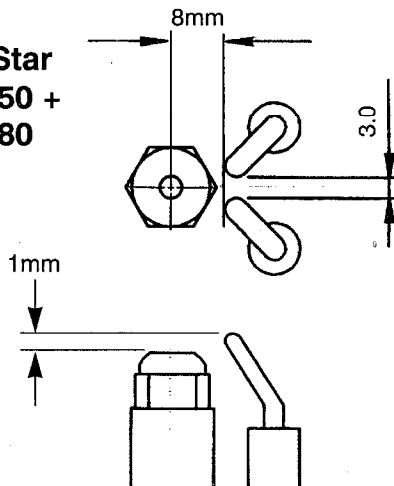
## MAINTENANCE OF OIL BURNER

**WARNING:**  
BEFORE DOING ANY SERVICE  
SWITCH OFF POWER AT THE  
MAIN SWITCH AND CUT  
OFF THE OIL SUPPLY

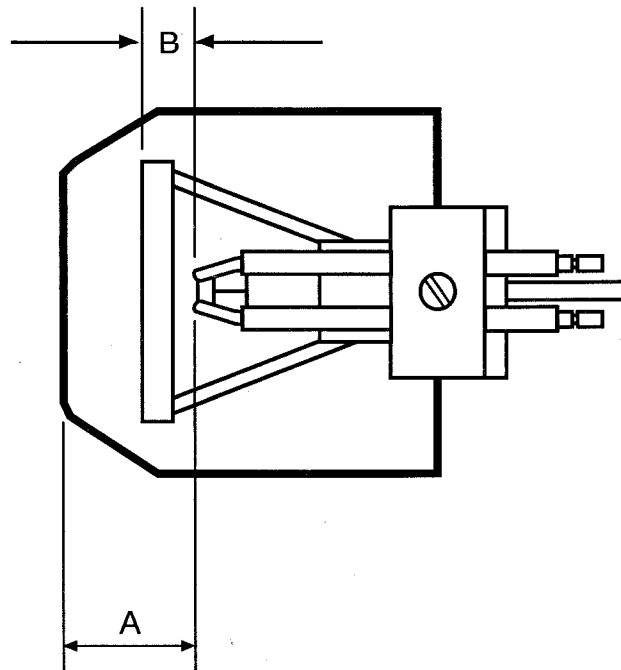
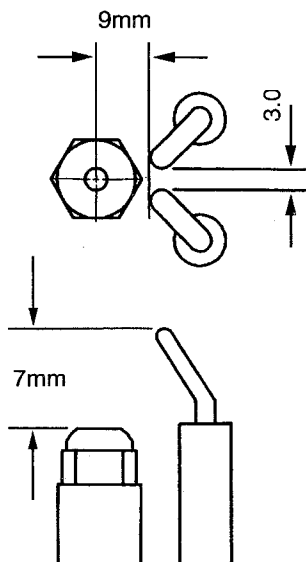


## SERVICING OF BURNER HEAD & NOZZLE ASSEMBLY

**EuroStar  
130/150 +  
160/180**



**EuroStar  
190/240**

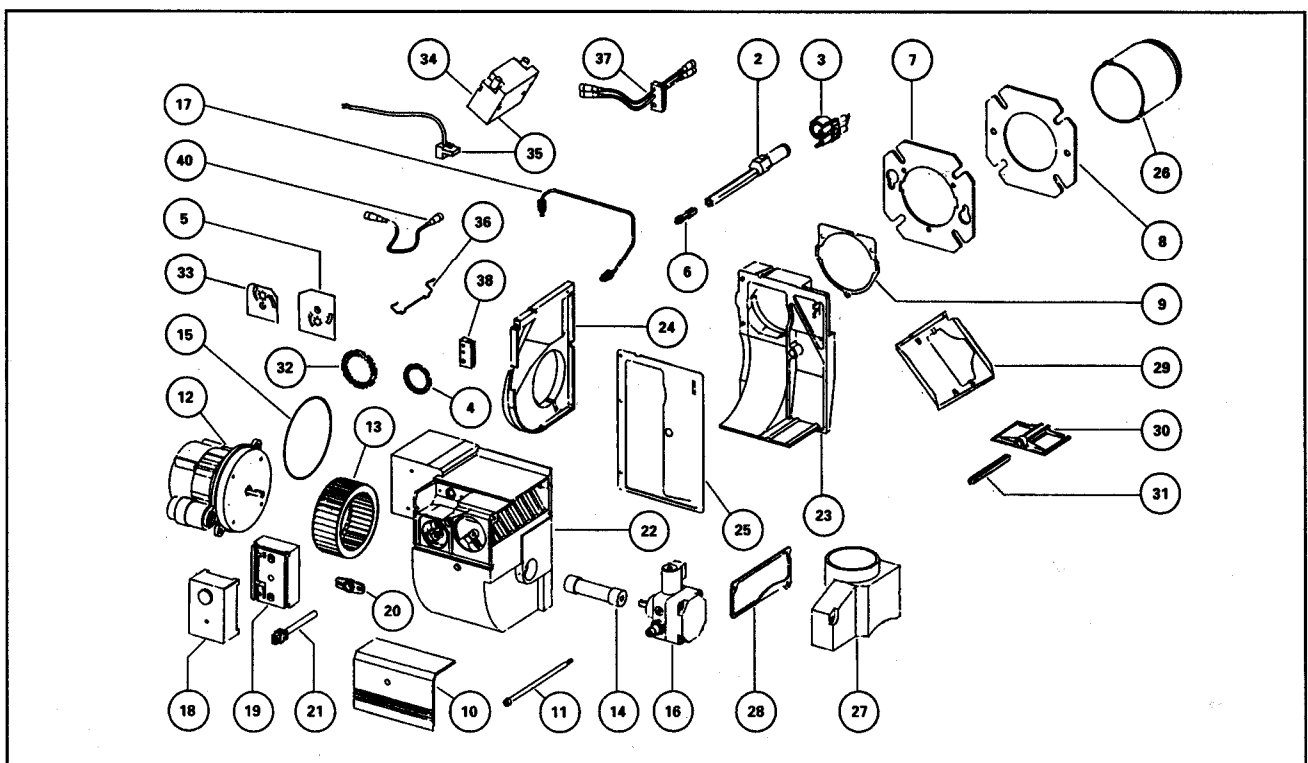


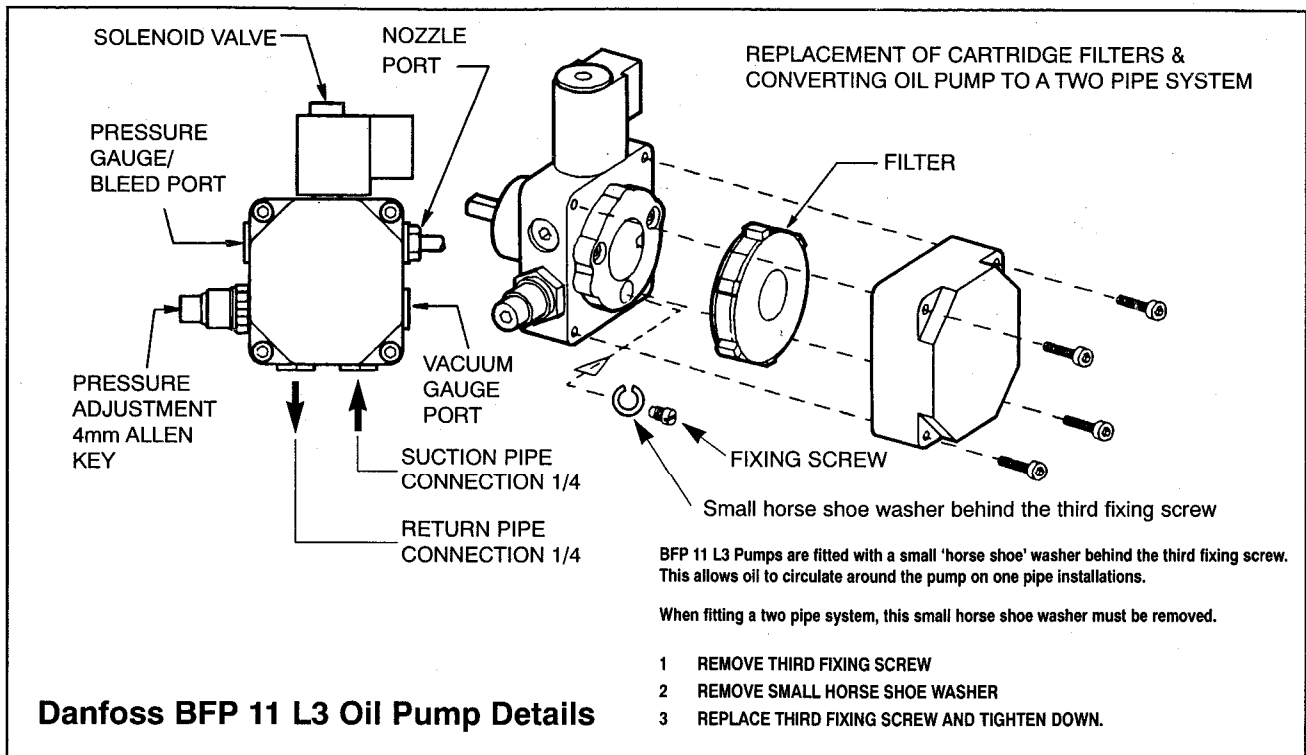
OUTPUT	CF		BF	
	Dim. A	Dim.B	Dim.A	Dim.B
130/150	21	20	21	20
160/180	24	21	24	21
190/240	33	28	38	28

10mm

# Electro Oil Sterling Burner - Short Parts List

Item	Description	Part No.
2	Nozzle Line Comp.	207581
3	Electrode Holder Comp.	208382
6	Adjustment Screw Nozzle Assembly	207586
7	Fixing Flange	209205
8	Gasket Fixing Flange	208799
9	Gasket, Fan Housing Front Port	208384
12	Motor <span style="margin-left: 20px;">130W</span>	210116
13	Fan Wheel	210117
14	Drive Coupling Complete	207595
15	O Ring Seal	207596
16	Pump, Danfoss BFP 11L3	203081
17	Connecting Pipe Complete	207598
18	Control Box, Satronic	29064
19	Relay Base, Satronic Complete	207628
20	Flange, Photoresistor	207602
21	Photoresistor MZ 7705	207603
25	Gasket, Fan Housing	209206
26	Flame Tube EuroStar 130/150	209206 ✓
26	Flame Tube EuroStar 160/180	209206 ✓
26	Flame Tube EuroStar 190/240	209207 ✓
28	Gasket, Connecting Piece	207612
34	Transformer, Danfoss	207618
	Nozzle 130/150 1.25 x 60° S	26857
	Nozzle 160/180 1.5 x 60° S	208694
	Nozzle 190/240 2.25 x 60° S	25426





### Servicing the burner (Electro-Oil Sterling)

1. Switch off the electrical supply to boiler and turn off oil.
2. Unscrew long securing bolt connecting both sections of the burner together and remove main burner sections from boiler.
3. Unscrew two flange fixing nuts and remove blast tube assembly from boiler.
4. Clean blast tube air vanes and inner and outer annular slots.
5. Fit a new nozzle with one of the same specification - do not attempt to clean or dismantle nozzle.
6. Clean ignition electrodes and check their settings. Also, examine the porcelain insulators and replace electrodes if there are cracks or signs of crazing.
7. Pull out photo-cell and clean glass face.
8. Clean deposits from impeller blades and check impeller is firmly tightened to motor shaft.
9. Check condition of flexible coupling for free play between pump and impeller - replace if necessary.
10. Clean any deposits from around air intake and shutter.
11. Remove end cap from oil pump - take out filter and wash in kerosene.
12. Check flexible oil hose(s) for oil leaks and replace if necessary with a similar 'long life' hose supplied with boiler.
13. Reassemble all parts but do not refit burner to boiler until boiler flue-ways have been cleaned.



By appointment to H.M. Queen Elizabeth  
The Queen Mother  
Manufacturers of Domestic Boilers



**TRIANCO REDFYRE LIMITED**  
 Thorncliffe, Chapeltown, Sheffield S35 2PZ  
 Tel: Sheffield (0114) 257 2300  
 Service Department: Sheffield (0114) 257 2301  
 Fax: (0114) 245 3021



© Trianco Redfyre Limited 1997, Copyright in this brochure and the drawings or illustrations contained in it is vested in Trianco Redfyre Limited and neither the brochure or any part thereof may be reproduced without prior written consent.

*Trianco Redfyre policy is one of continuous research and development. This may necessitate alterations to this specification.*